



Hersteller von **Katalysatoren** und **Partikelfiltern**

DEUTSCH

MERCEDES

71285



PK513



1710



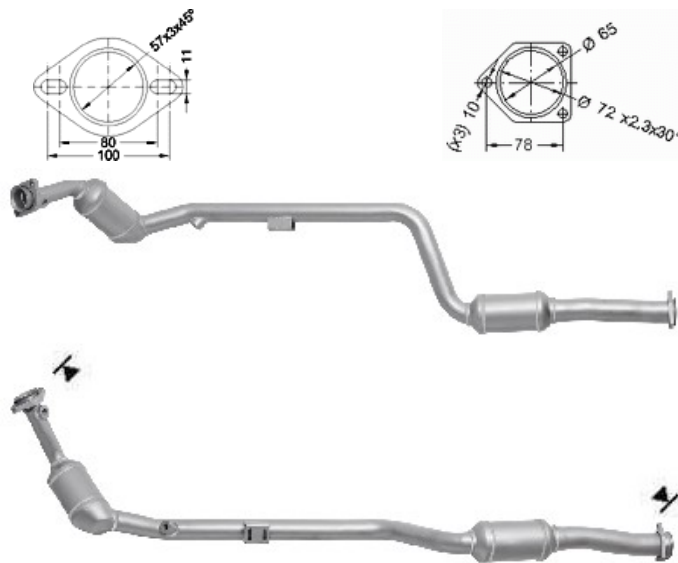
7.85



Original-Artikelnummer:

2034905919, 2034907519

| MARKE | MODELL | DATUM |
|----------|---|-----------|
| MERCEDES | C160 Kompressor 1.8i 16V 1796 cc 90 Kw / 122 cv 271921 W203 | 6/02>2/08 |
| MERCEDES | C180 Kompressor 1.8i 16V 1796 cc 105 Kw / 143 cv 271946 W203 | 6/02>2/08 |
| MERCEDES | C180 Kompressor 1.8i 16V 1796 cc 120 Kw / 163 cv 271940 W203 | 6/02>2/08 |
| MERCEDES | C200 Kompressor 1.8i 16V 1796 cc 120 Kw / 163 cv 271940 W203 | 6/02>2/08 |
| MERCEDES | C200 Kompressor 1.8i 16V 1796 cc 125 Kw / 170 cv 271942 W203 | 6/02>2/08 |
| MERCEDES | C230 Kompressor 1.8i 16V 1796 cc 141 Kw / 192 cv 271948 W203 | 6/02>2/08 |
| MERCEDES | CLK200 Kompressor 1.8i 16V 1796 cc 120 Kw / 163 cv 271940 C209 | 6/02>3/08 |
| MERCEDES | CLK200 Kompressor 1.8i 16V 1796 cc 125 Kw / 170 cv 271942 C209 | 2/03>3/08 |



Ø 68x90°

Ø 74x120°